



**AIMING AND OBSERVATION
DEVICES**

AIMING AND OBSERVATION DEVICES

ZENIT HAS BEEN DEVELOPING AND PRODUCING RIFLESCOPES WITH THE SMOOTH ZOOM ADJUSTMENT AND MOUNTS TO THEM FOR HUNTING AND SPORTS. THE DESIGN AND CONSTRUCTION DEVELOPED ACCORDING TO THE RUSSIAN FEDERATION STANDARDS ARE TO WITHSTAND THE TOUGHEST HUNTING CALIBERS' CONDITIONS.

ALSO BINOCULARS WITH A BUILT-IN IMAGE GYROSTABILIZER HAVE BEEN PRODUCED FOR THE EXTREME USAGE.

THE HIGH EFFICIENCY, ACCURACY AND STABLE WORK RESULT IN THE RELIABILITY AND LONG LIFETIME OF ZENIT AIMING AND OBSERVATION DEVICES.

CONTENT	
RIFLESCOPES	
Zenit PO 3-10X40 SM	37808
Zenit PO 3-12X50	59303
Zenit PO 5-20X56	594
MOUNTS	
Zenit KP 30-30-00	37825
Zenit KP 30-30-15	37827
Zenit KP 30-30-30	37826
Zenit KP 34-44-00	59325
Zenit KP 34-44-15	59326
Zenit KP 34-44-30	59327
RIFLESCOPES WITH MOUNTS	
Zenit PO 3-10X40 CM with KP 30-30-00 mount	37815
Zenit PO 3-10X40 CM with KP 30-30-15 mount	37817
Zenit PO 3-10X40 CM with KP 30-30-30 mount	37816
Zenit PO 3-12X50 with KP 34-44-00 mount	5930325
Zenit PO 3-12X50 with KP 34-44-15 mount	5930326
Zenit PO 3-12x50 with KP 34-44-30 mount	5930327
Zenit PO 5-20x56 with KP 34-44-00 mount	5940325
Zenit PO 5-20x56 with KP 34-44-15 mount	5940326
Zenit PO 5-20x56 with KP 34-44-30 mount	5940327
OBSERVATION DEVICES	
BSV 16x40 binoculars	6105

RIFLESCOPES

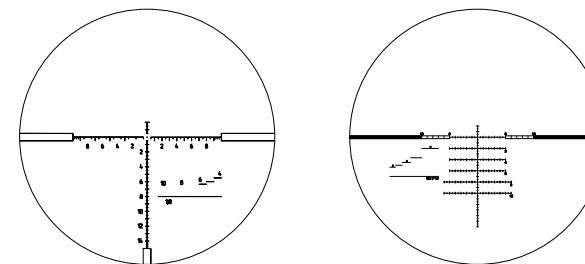
PO 3-10x40 SM

RIFLESCOPE



THE RIFLESCOPE ZENIT PO 3-10X40 SM IS INTENDED FOR USING A RIFLE OF CALIBER UP TO .338 WM

It is designed specially for "Tiger" type of rifles. The leader in its line, this is a premium product at a reasonable price. The scope is endowed with tried-and-true functions including the first focal plane, parallax adjustment and reticle illumination. High quality optics with 3-10 variable magnification provides shooting without using tactical goggles. The design developed according to the Russian Federation standards can withstand the load of the toughest hunting calibers. Tactical elevation and windage turrets are made for ammunition of caliber .308, one turn of the turret equals installation at 800m. The riflescope can be completed with ballistic turret of adjustment and One-Piece Mount with different angles of inclination



SPECIFICATIONS:

SKU#	37808
Magnification	3 - 10
Field of view	7°30' - 2°38'
Eye relief, mm	70
Resolution	20" - 6"
Transmission	0.9
Click value, mm/100 m	10
Range adjustment, m/100 m	1.3
Parallax adjustment, m	25 - ∞
Battery type	1xCR2032
Dimensions, mm	325x88x75
Weight, kg	0.8

Standard



Option



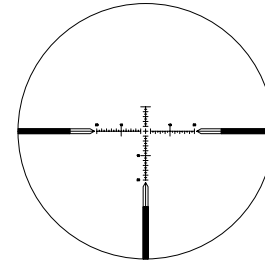
PO 3-12x50

RIFLESCOPE

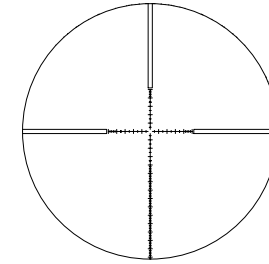


THE RIFLESCOPE ZENIT PO 3-12X50 IS INTENDED FOR PINPOINT FIRING USING A RIFLE OF CALIBER UP TO .338WM

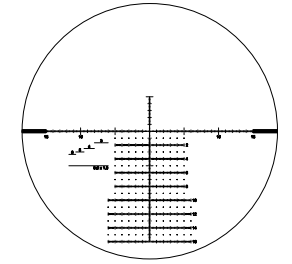
3-12 variable magnification allows you to detect and identify the target up to 1200m at daylight and twilight. Reticle installed in the first focal plane allows you to take the target at any magnification, it can be equipped with multilevel illumination at twilight. Different reticle types provide firing accuracy taking into account all ballistic bullet peculiarities. Precise elevation and windage turrets with Reference Point system provide click value adjustment 10mm/100m (0.1 mil), tried-and-true functions on stationary and moving targets during the hunting. Russia-made glass with the light-transmission at min. 90% suits perfectly for a comfortable aiming in a bright sunny weather and is good for a shooters' sensitive eyes. The rifle scope can be equipped with One-Piece Mount including angles: 0, 15, 30 MOA



Z-MOAR-0



Z-TMR-0



ZM-SV-1

SPECIFICATIONS:

SKU#	59303
Magnification	3 - 12
Field of view	6°50' - 1°45'
Eye relief, mm	90
Resolution	23" - 5"
Transmission	0.9
Click value, mm/100 m	10
Range adjustment, m/100 m	3.6
Parallax adjustment, m	50 - ∞
Dimensions, mm	340x98x88
Weight, kg	1.0

Standard

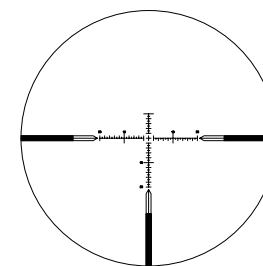


Option

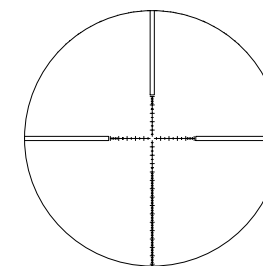


PO 5-20x56

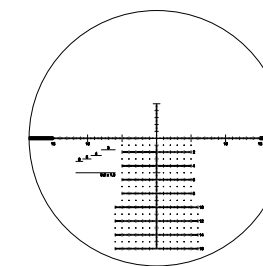
RIFLESCOPE



Z-MOAR-0



Z-TMR-0



ZM-SV-1

SPECIFICATIONS:

SKU#	594
Magnification	5 - 20
Lens diameter, mm	56
Field of view	4° - 1°
Parallax adjustment, m	50 - ∞
Exit pupil, mm	10 - 2.8
Eye relief, mm	≥ 90
Eyepiece adjustment, dpt	± 3
Transmission	90%
Click value, mm/100 m	0.1
Range adjustment, m/100 m	26
Dimensions, mm	421x97x106
Tube diameter, mm	34
Weight, kg	1.1

Standard



Option



THE RIFLESCOPE ZENIT PO 5-20X56 IS INTENDED FOR PINPOINT FIRING USING A RIFLE OF DIFFERENT CALIBER UP TO 12,7 MM

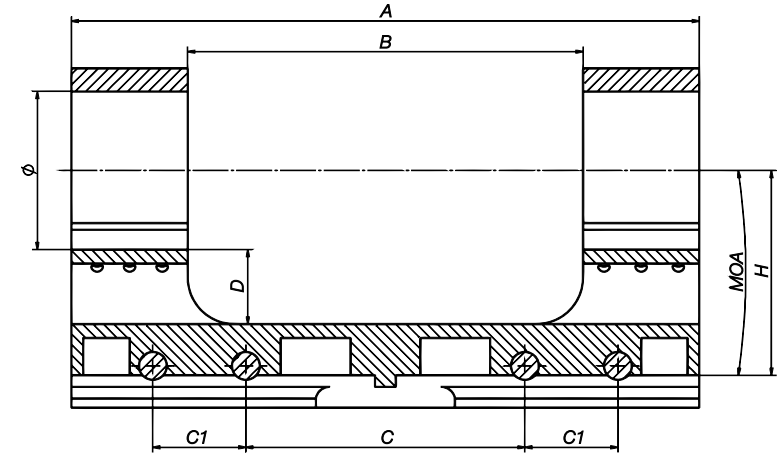
5-20 variable magnification allows to detect and identify the target up to 2000m at daylight and twilight. A reticle located in the focal plane of the lens allows you to comfortably aim at any magnification, fire with correction for weather conditions and target movement. Different reticle types provide firing accuracy taking into account all ballistic peculiarities. Precise elevation and windage turrets with Reference Point System provide click value 10mm/100m (0.1 mil) with indication of the number of revolutions. Russia-made glass with the light-transmission at min. 90% suits perfectly for a comfortable aiming in a bright sunny weather and is good for a shooters' sensitive eyes. The riflescope can be equipped with One-Piece Mount including angles: 0, 15, 30 MOA



MOUNTS

KP 30-30-00

MOUNT



SPECIFICATIONS:

SKU#	37825
∅	30
H	30
MOA	00
A	110 mm
B	70 mm
C	80 mm
C1	-
D	4 mm

Standard



Option

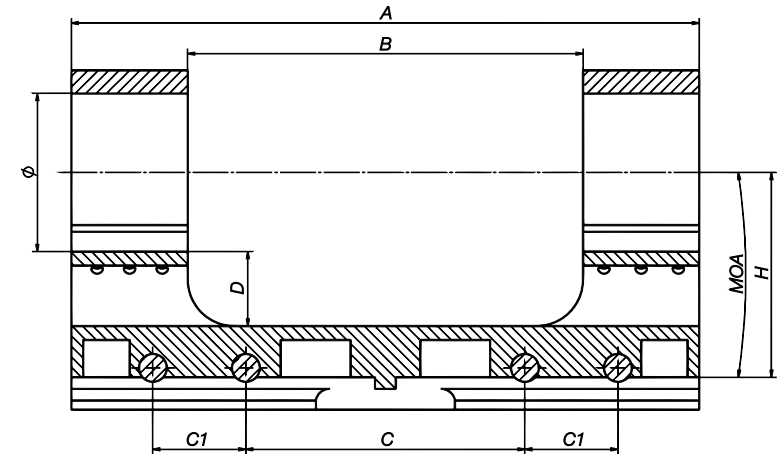


The line of One-Piece Mounts is designed for installation of the scope on the rifle of caliber up to .50BMG according to the Russian Federation standards. A mount is fully machined from solid, high-grade aluminum B95 (7075) to avoid squeezing of the scope and for its accurate installation. Turrets are observed properly due to half-rings setting at a 45° angle. There is a surface interface for installation of the optional equipment (Reflex Red Dot sight, laser, etc.). Hexagonal nuts Sw12 and the screw driver knife allow you to fasten the scope on Picatinny rail with 100 % repeatability



KP 30-30-15

MOUNT



SPECIFICATIONS:

SKU#	37827
∅	30
H	30
MOA	15
A	110 mm
B	70 mm
C	80 mm
C1	-
D	4 mm

Standard



Option

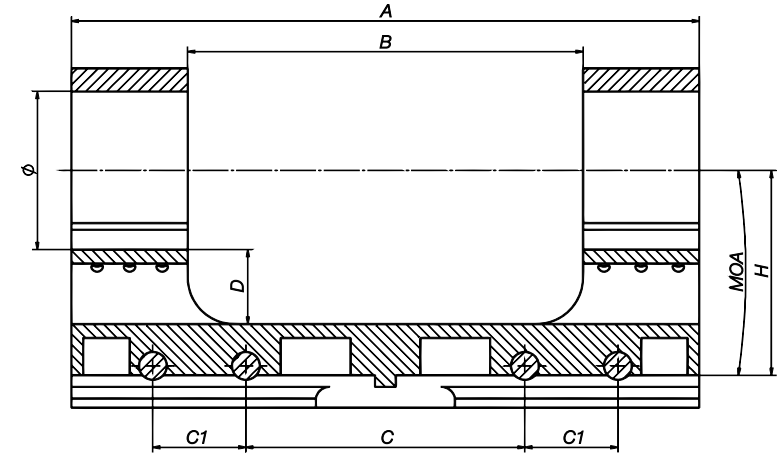


The line of One-Piece Mounts is designed for installation of the scope on the rifle of caliber up to .50BMG according to the Russian Federation standards. A mount is fully machined from solid, high-grade aluminum B95 (7075) to avoid squeezing of the scope and for its accurate installation. Turrets are observed properly due to half-rings setting at a 45° angle. There is a surface interface for installation of the optional equipment (Reflex Red Dot sight, laser, etc.). Hexagonal nuts Sw12 and the screw driver knife allow you to fasten the scope on Picatinny rail with 100 % repeatability



KP 30-30-30

MOUNT



SPECIFICATIONS:

SKU#	37826
∅	30
H	30
MOA	30
A	110 mm
B	70 mm
C	80 mm
C1	-
D	4 mm

Standard



Option

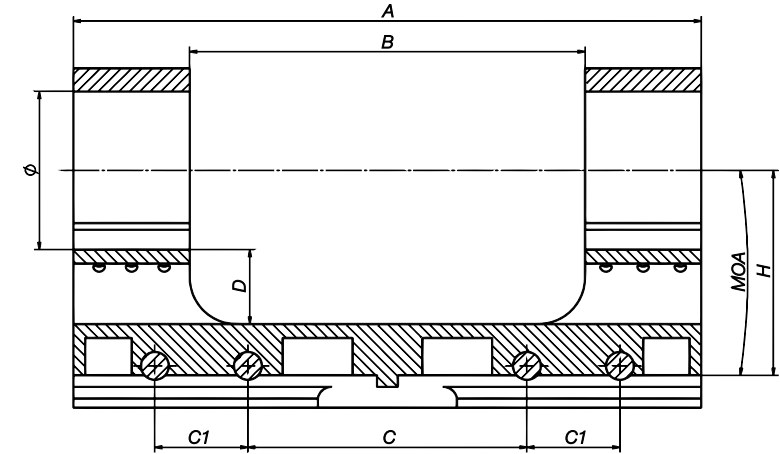


The line of One-Piece Mounts is designed for installation of the scope on the rifle of caliber up to .50BMG according to the Russian Federation standards. A mount is fully machined from solid, high-grade aluminum B95 (7075) to avoid squeezing of the scope and for its accurate installation. Turrets are observed properly due to half-rings setting at a 45° angle. There is a surface interface for installation of the optional equipment (Reflex Red Dot sight, laser, etc.). Hexagonal nuts Sw12 and the screw driver knife allow you to fasten the scope on Picatinny rail with 100 % repeatability



KP 34-44-00

MOUNT



SPECIFICATIONS:

SKU#	59325
Ø	34
H	44
MOA	00
A	135 mm
B	85 mm
C	60 mm
C1	20 mm
D	16 mm

Standard



Option

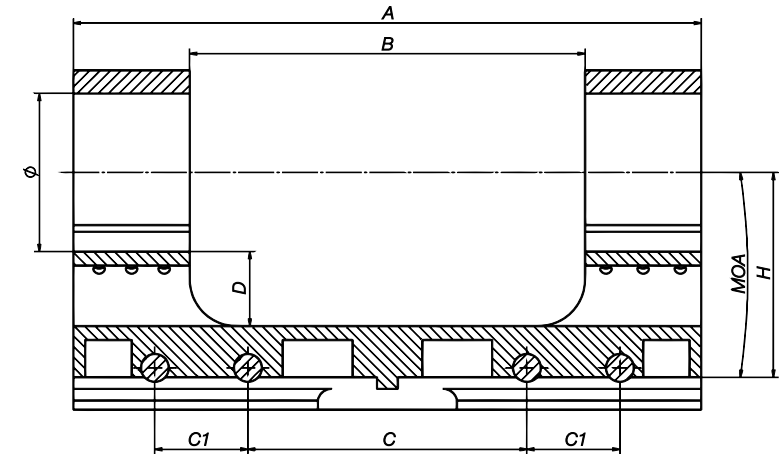


The line of One-Piece Mounts is designed for installation of the scope on the rifle of caliber up to .50BMG according to the Russian Federation standards. A mount is fully machined from solid, high-grade aluminum B95 (7075) to avoid squeezing of the scope and for its accurate installation. Turrets are observed properly due to half-rings setting at a 45° angle. There is a surface interface for installation of the optional equipment (Reflex Red Dot sight, laser, etc.). Hexagonal nuts Sw12 and the screw driver knife allow you to fasten the scope on Picatinny rail with 100 % repeatability



KP 34-44-15

MOUNT



SPECIFICATIONS:

SKU#	59326
Ø	34
H	44
MOA	15
A	135 mm
B	85 mm
C	60 mm
C1	20 mm
D	16 mm

Standard



Option

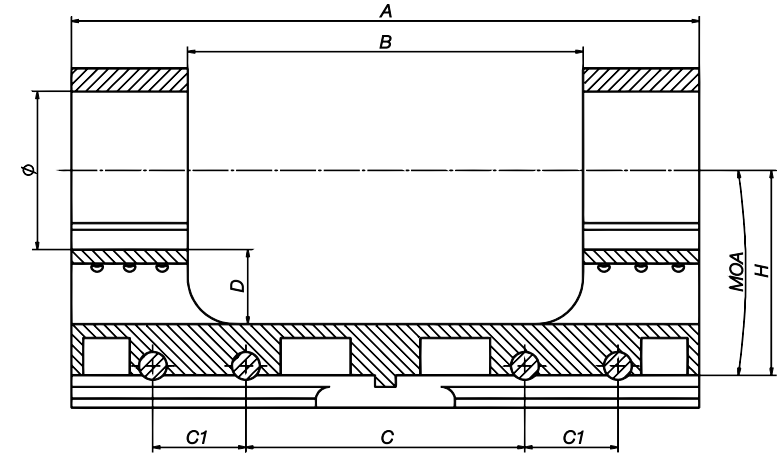


The line of One-Piece Mounts is designed for installation of the scope on the rifle of caliber up to .50BMG according to the Russian Federation standards. A mount is fully machined from solid, high-grade aluminum B95 (7075) to avoid squeezing of the scope and for its accurate installation. Turrets are observed properly due to half-rings setting at a 45° angle. There is a surface interface for installation of the optional equipment (Reflex Red Dot sight, laser, etc.). Hexagonal nuts Sw12 and the screw driver knife allow you to fasten the scope on Picatinny rail with 100 % repeatability



KP 34-44-30

MOUNT



SPECIFICATIONS:

SKU#	59327
Ø	34
H	44
MOA	30
A	135 mm
B	85 mm
C	60 mm
C1	20 mm
D	16 mm

Standard



Option



The line of One-Piece Mounts is designed for installation of the scope on the rifle of caliber up to .50BMG according to the Russian Federation standards. A mount is fully machined from solid, high-grade aluminum B95 (7075) to avoid squeezing of the scope and for its accurate installation. Turrets are observed properly due to half-rings setting at a 45° angle. There is a surface interface for installation of the optional equipment (Reflex Red Dot sight, laser, etc.). Hexagonal nuts Sw12 and the screw driver knife allow you to fasten the scope on Picatinny rail with 100 % repeatability



RIFLESCOPES WITH MOUNTS

PO 3-10X40 SM

RIFLESCOPE WITH KP 30-30-00 MOUNT



THE RIFLESCOPE ZENIT PO 3-10X40 SM IS INTENDED FOR USING A RIFLE OF CALIBER UP TO .338 WM

It is designed specially for "Tiger" type of rifles. The leader in its line, this is a premium product at a reasonable price. The scope is endowed with tried-and-true functions including the first focal plane, parallax adjustment and reticle illumination. High quality optics with 3-10 variable magnification provides shooting without using tactical goggles. The design developed according to the Russian Federation standards can withstand the load of the toughest hunting calibers. Tactical elevation and windage turrets are made for ammunition of caliber .308, one turn of the turret equals installation at 800m

THE RIFLESCOPE IS EQUIPPED WITH KP 30-30-00 MOUNT



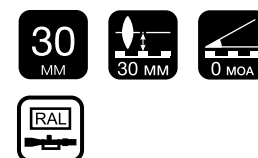
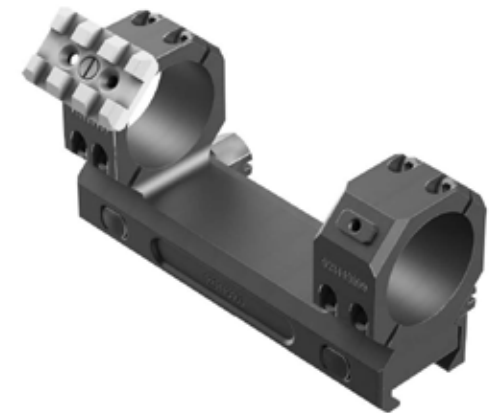
PO 3-10X40 SM

RIFLESCOPE



KP 30-30-00

MOUNT



PO 3-10X40 SM

RIFLESCOPE WITH KP 30-30-15 MOUNT



THE RIFLESCOPE ZENIT PO 3-10X40 SM IS INTENDED FOR USING A RIFLE OF CALIBER UP TO .338 WM

It is designed specially for "Tiger" type of rifles. The leader in its line, this is a premium product at a reasonable price. The scope is endowed with tried-and-true functions including the first focal plane, parallax adjustment and reticle illumination. High quality optics with 3-10 variable magnification provides shooting without using tactical goggles. The design developed according to the Russian Federation standards can withstand the load of the toughest hunting calibers. Tactical elevation and windage turrets are made for ammunition of caliber .308, one turn of the turret equals installation at 800m

THE RIFLESCOPE IS EQUIPPED WITH KP 30-30-15 MOUNT



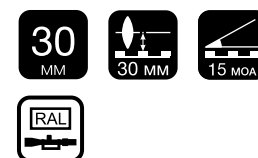
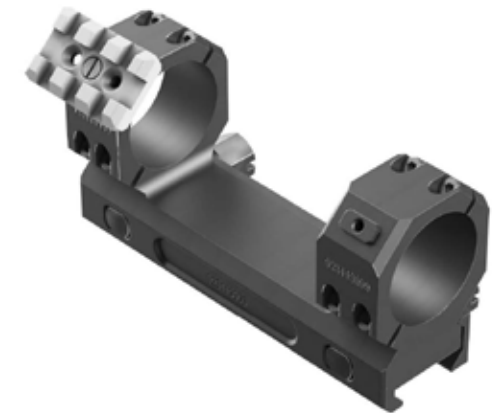
PO 3-10X40 SM

RIFLESCOPE



KP 30-30-15

MOUNT



SKU#37816

PO 3-10X40 SM

RIFLESCOPE WITH KP 30-30-30 MOUNT



THE RIFLESCOPE ZENIT PO 3-10X40 SM IS INTENDED FOR USING A RIFLE OF CALIBER UP TO .338 WM

It is designed specially for "Tiger" type of rifles. The leader in its line, this is a premium product at a reasonable price. The scope is endowed with tried-and-true functions including the first focal plane, parallax adjustment and reticle illumination. High quality optics with 3-10 variable magnification provides shooting without using tactical goggles. The design developed according to the Russian Federation standards can withstand the load of the toughest hunting calibers. Tactical elevation and windage turrets are made for ammunition of caliber .308, one turn of the turret equals installation at 800m

THE RIFLESCOPE IS EQUIPPED WITH KP 30-30-30 MOUNT



SKU#37816

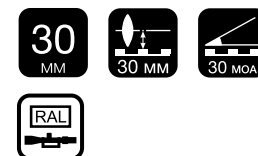
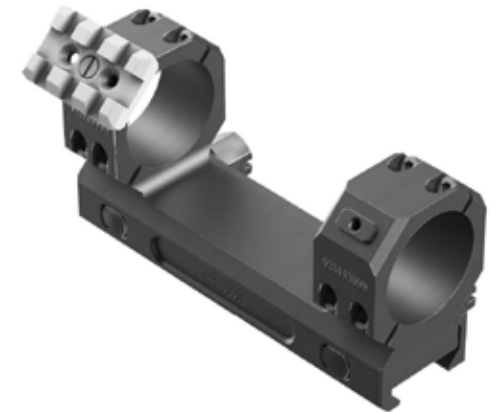
PO 3-10X40 SM

RIFLESCOPE



KP 30-30-30

MOUNT



ZENIT-OPTICS.RU



PO 3-12X50

RIFLESCOPE WITH KP 34-44-00 MOUNT



THE RIFLESCOPE ZENIT PO 3-12X50 IS INTENDED FOR PINPOINT FIRING USING A RIFLE OF CALIBER UP TO .338WM

3-12 variable magnification allows you to detect and identify the target up to 1200m at daylight and twilight. Reticle installed in the first focal plane allows you to take the target at any magnification, it can be equipped with multilevel illumination at twilight. Different reticle types provide firing accuracy taking into account all ballistic bullet peculiarities. Precise elevation and windage turrets with Reference Point system provide click value adjustment 10mm/100m (0.1 mil), tried-and-true functions on stationary and moving targets during the hunting. Russia-made glass with the light-transmission at min. 90% suits perfectly for a comfortable aiming in a bright sunny weather and is good for a shooters' sensitive eyes

THE RIFLESCOPE IS EQUIPPED WITH KP 34-44-00 MOUNT



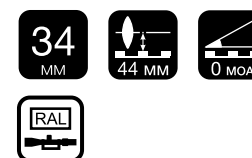
PO 3-12X50

RIFLESCOPE



KP 34-44-00

MOUNT



PO 3-12X50

RIFLESCOPE WITH KP 34-44-15 MOUNT



THE RIFLESCOPE ZENIT PO 3-12X50 IS INTENDED FOR PINPOINT FIRING USING A RIFLE OF CALIBER UP TO .338WM

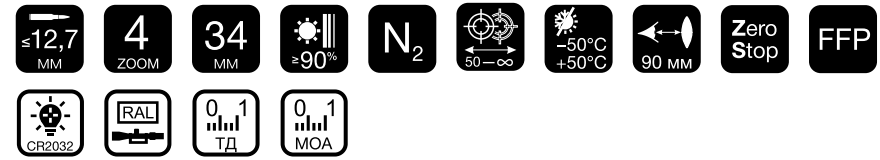
3-12 variable magnification allows you to detect and identify the target up to 1200m at daylight and twilight. Reticle installed in the first focal plane allows you to take the target at any magnification, it can be equipped with multilevel illumination at twilight. Different reticle types provide firing accuracy taking into account all ballistic bullet peculiarities. Precise elevation and windage turrets with Reference Point system provide click value adjustment 10mm/100m (0.1 mil), tried-and-true functions on stationary and moving targets during the hunting. Russia-made glass with the light-transmission at min. 90% suits perfectly for a comfortable aiming in a bright sunny weather and is good for a shooters' sensitive eyes

THE RIFLESCOPE IS EQUIPPED WITH KP 34-44-15 MOUNT



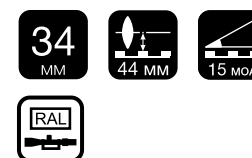
PO 3-12X50

RIFLESCOPE



KP 34-44-15

MOUNT



PO 3-12X50

RIFLESCOPE WITH KP 34-44-30 MOUNT



THE RIFLESCOPE ZENIT PO 3-12X50 IS INTENDED FOR PINPOINT FIRING USING A RIFLE OF CALIBER UP TO .338WM

3-12 variable magnification allows you to detect and identify the target up to 1200m at daylight and twilight. Reticle installed in the first focal plane allows you to take the target at any magnification, it can be equipped with multilevel illumination at twilight. Different reticle types provide firing accuracy taking into account all ballistic bullet peculiarities. Precise elevation and windage turrets with Reference Point system provide click value adjustment 10mm/100m (0.1 mil), tried-and-true functions on stationary and moving targets during the hunting. Russia-made glass with the light-transmission at min. 90% suits perfectly for a comfortable aiming in a bright sunny weather and is good for a shooters' sensitive eyes

THE RIFLESCOPE IS EQUIPPED WITH KP 34-44-30 MOUNT



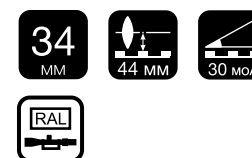
PO 3-12X50

RIFLESCOPE



KP 34-44-30

MOUNT



PO 5-20X56

RIFLESCOPE WITH KP 34-44-00 MOUNT



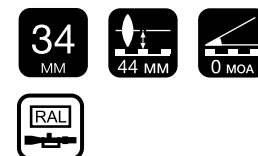
PO 5-20X56

RIFLESCOPE



KP 34-44-00

MOUNT



THE RIFLESCOPE ZENIT PO 5-20X56 IS INTENDED FOR PINPOINT FIRING USING A RIFLE OF DIFFERENT CALIBER UP TO 12,7 MM

5-20 variable magnification allows to detect and identify the target up to 2000m at daylight and twilight. A reticle located in the focal plane of the lens allows you to comfortably aim at any magnification, fire with correction for weather conditions and target movement. Different reticle types provide firing accuracy taking into account all ballistic peculiarities. Precise elevation and windage turrets with Reference Point System provide click value 10mm/100m (0.1 mil) with indication of the number of revolutions. Russia-made glass with the light-transmission at min. 90% suits perfectly for a comfortable aiming in a bright sunny weather and is good for a shooters' sensitive eyes

THE RIFLESCOPE IS EQUIPPED WITH KP 34-44-00 MOUNT



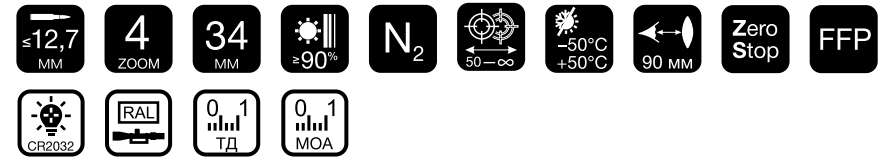
PO 5-20X56

RIFLESCOPE WITH KP 34-44-15 MOUNT



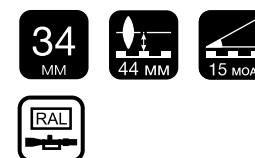
PO 5-20X56

RIFLESCOPE



KP 34-44-15

MOUNT



THE RIFLESCOPE ZENIT PO 5-20X56 IS INTENDED FOR PINPOINT FIRING USING A RIFLE OF DIFFERENT CALIBER UP TO 12,7 MM

5-20 variable magnification allows to detect and identify the target up to 2000m at daylight and twilight. A reticle located in the focal plane of the lens allows you to comfortably aim at any magnification, fire with correction for weather conditions and target movement. Different reticle types provide firing accuracy taking into account all ballistic peculiarities. Precise elevation and windage turrets with Reference Point System provide click value 10mm/100m (0.1 mil) with indication of the number of revolutions. Russia-made glass with the light-transmission at min. 90% suits perfectly for a comfortable aiming in a bright sunny weather and is good for a shooters' sensitive eyes

THE RIFLESCOPE IS EQUIPPED WITH KP 34-44-15 MOUNT



PO 5-20X56

RIFLESCOPE WITH KP 34-44-30 MOUNT



THE RIFLESCOPE ZENIT PO 5-20X56 IS INTENDED FOR PINPOINT FIRING USING A RIFLE OF DIFFERENT CALIBER UP TO 12,7 MM

5-20 variable magnification allows to detect and identify the target up to 2000m at daylight and twilight. A reticle located in the focal plane of the lens allows you to comfortably aim at any magnification, fire with correction for weather conditions and target movement. Different reticle types provide firing accuracy taking into account all ballistic peculiarities. Precise elevation and windage turrets with Reference Point System provide click value 10mm/100m (0.1 mil) with indication of the number of revolutions. Russia-made glass with the light-transmission at min. 90% suits perfectly for a comfortable aiming in a bright sunny weather and is good for a shooters' sensitive eyes

THE RIFLESCOPE IS EQUIPPED WITH KP 34-44-30 MOUNT



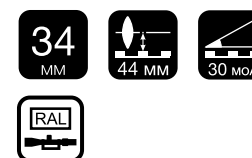
PO 5-20X56

RIFLESCOPE



KP 34-44-30

MOUNT



OBSERVATION EQUIPMENT

BSV 16x40

WATERPROOF BINOCULARS
WITH A BUILT-IN GYROSTABILIZER



THE BINOCULARS WITH A BUILT-IN IMAGE GYROSTABILIZER ARE DEVELOPED FOR OBSERVATION OF REMOTE OBJECTS IN THE DAYTIME UNDER IRREGULAR CONDITIONS. IT ALLOWS TO SEE A CLEAR AND SHARP IMAGE EVEN WHILE OBSERVING DISTANT OBJECTS FROM MOVING VEHICLES (CARS, HELICOPTERS, YACHTS, ETC.). DAMP- AND DUSTPROOF RUBBER-COATED BODY PROVIDES EASY HANDLING UNDER CONDITIONS OF LIMITED OBSERVATION

SPECIFICATIONS:

SKU#	6105
Magnification	16
Angular field of view	3°
Adjustment range of the inter-axes distance of the eye-pieces, mm	58-72
Supply voltage:	
- from a built-in power supply unit (type AA), V	9
- Vehicle battery, V	12
Gyro assembly uncaging time with electrical supply, s	50
Angular speed of multidirectional panning , deg/s	0 - 6
Dimensions, mm	240x190x100
Weight w/o batteries, kg	2.0
Exploitation conditions:	
- Temperature range	from -25°C to +45°C
- Relative air humidity at +25°C	98%
- Transit temperature range	from -50°C to +50°C





Rostec



Shvabe



PJSC "Krasnogorsky Zavod"
Tel.: +7 (495) 561-8008

online-store

zenit.photo

E-mail: info@zenit.photo

Tel.: +7 (495) 561-8887

Sales Department

E-mail: gp@zenit-kmz.ru

Tel.: +7 (495) 561-2708

Zenit Brandstore

GUM, 3rd fl., 3rd line, 3, Red Square, Moscow

E-mail: zenit-shop@zenit-kmz.ru

Tel.: +7 (499) 957-8822

zenit.photo

zenit-medicine.com

zenit-optics.ru

zenit-kmz.ru

shvabe.com